

Press release for 11/07/2024

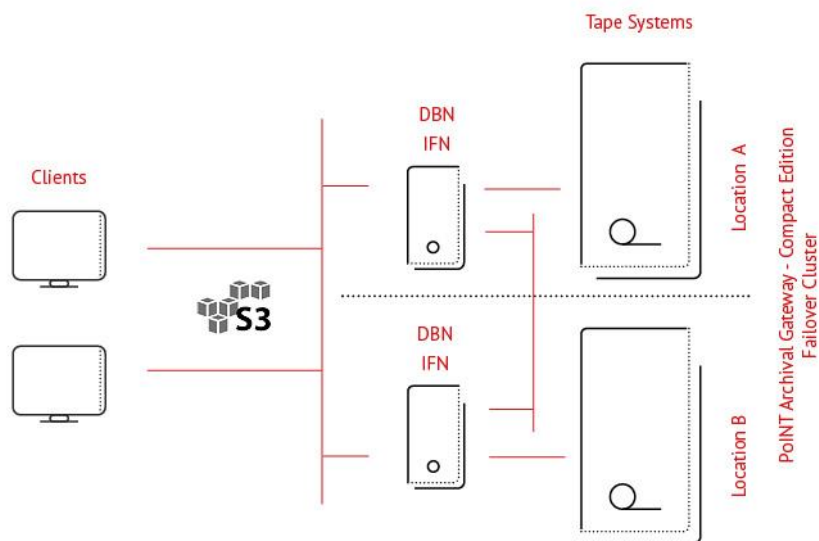


S3 Object Storage on Tape: PoINT presents new release at SC24

Siegen, Germany. The German software manufacturer PoINT Software & Systems presents the new version of its S3-to-Tape solution PoINT Archival Gateway at the renowned supercomputing conference in Atlanta. Especially HPC workloads and storage service providers will benefit from the enhancements.

With the new version, the S3-to-Tape solution PoINT Archival Gateway has been significantly improved with regard to the requirements in the HPC sector and in data centers. PoINT Archival Gateway meets the high requirements of supercomputing workloads. Thanks to its high scalability and parallelism, the tape-based object storage system achieves a particularly high data throughput. The manufacturer has also significantly expanded the cluster capabilities to improve performance and reliability.

At SC24, PoINT will also introduce the newly integrated RESTful Admin API and SNMP support, which extend the application possibilities of PoINT Archival Gateway especially in data centers and by Managed Service Providers.



For the first time, PoINT will have its own booth at the SC. SC24 will take place from November 17th to 22nd in Atlanta, Georgia. The show is the meeting place for vendors and users of high performance computing, supercomputing, networking and storage infrastructure.

For further information, please visit www.point.de.

About PoINT:

PoINT Software & Systems GmbH is specialized in the development and distribution of software products for storage, management and archiving of data. Our data & storage management solutions offer an easy and efficient integration of different storage technologies and systems in consideration of enterprise requirements. PoINT products allow optimized usage of storage systems and help to reduce costs and issues caused by data growth. The software solutions fulfil compliance and archiving requirements and provide independence from storage technologies and vendors.

Editorial contact:

Dr. Catrin Kersten
Marketing Manager
PoINT Software & Systems GmbH
Eiserfelder Str. 316, 57080 Siegen, Germany
tel.: +49 271 3841-159
marcom@point.de
www.point.de